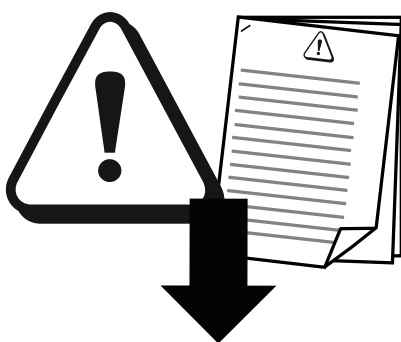
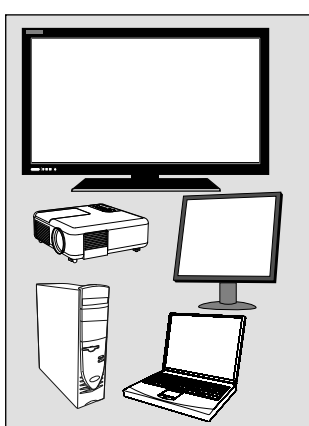
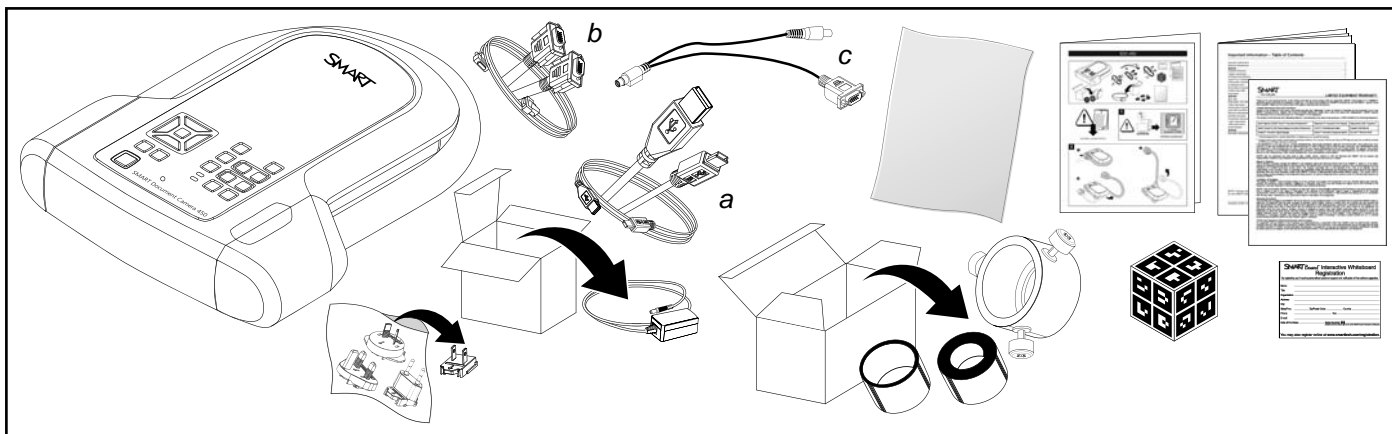
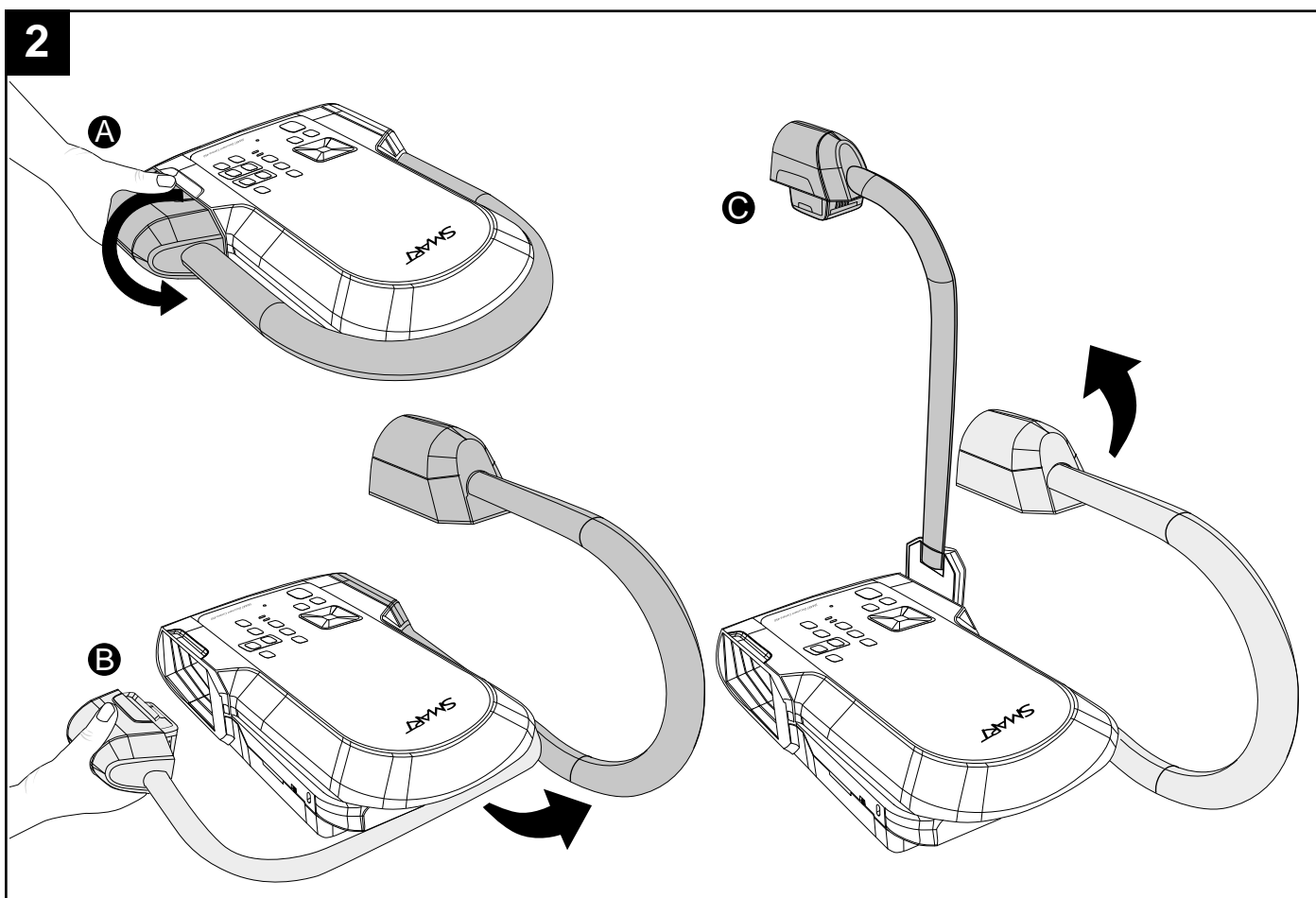
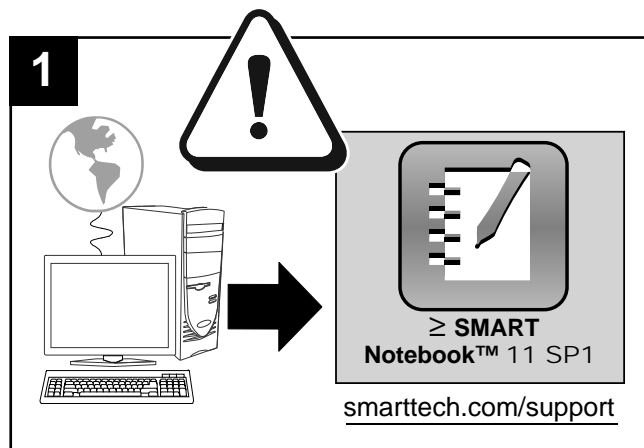
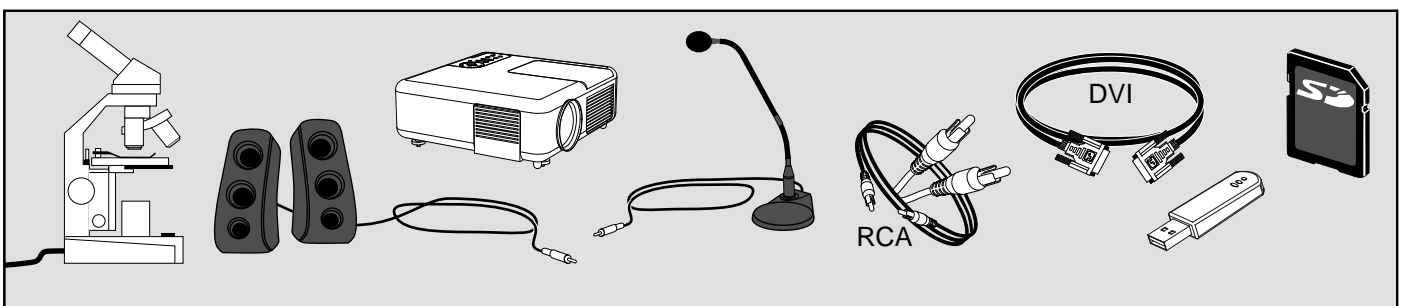
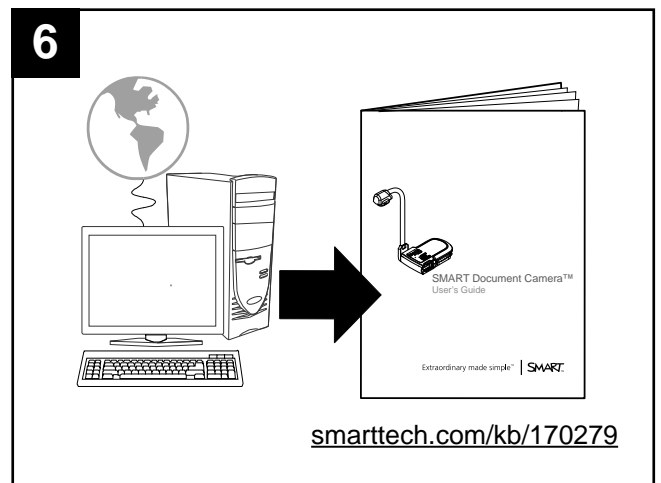
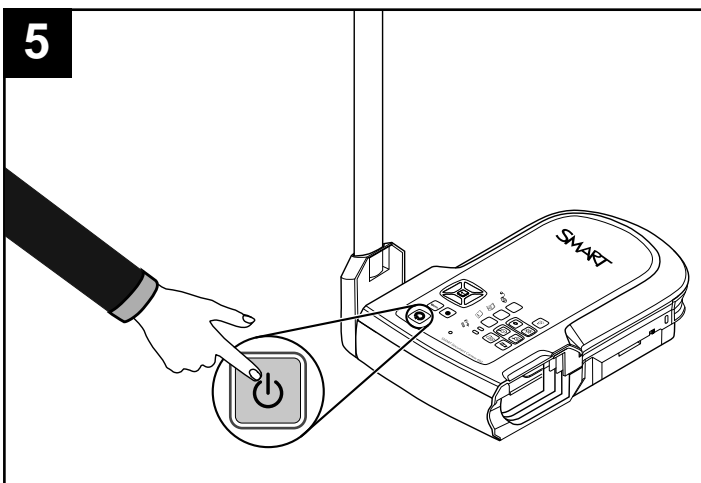
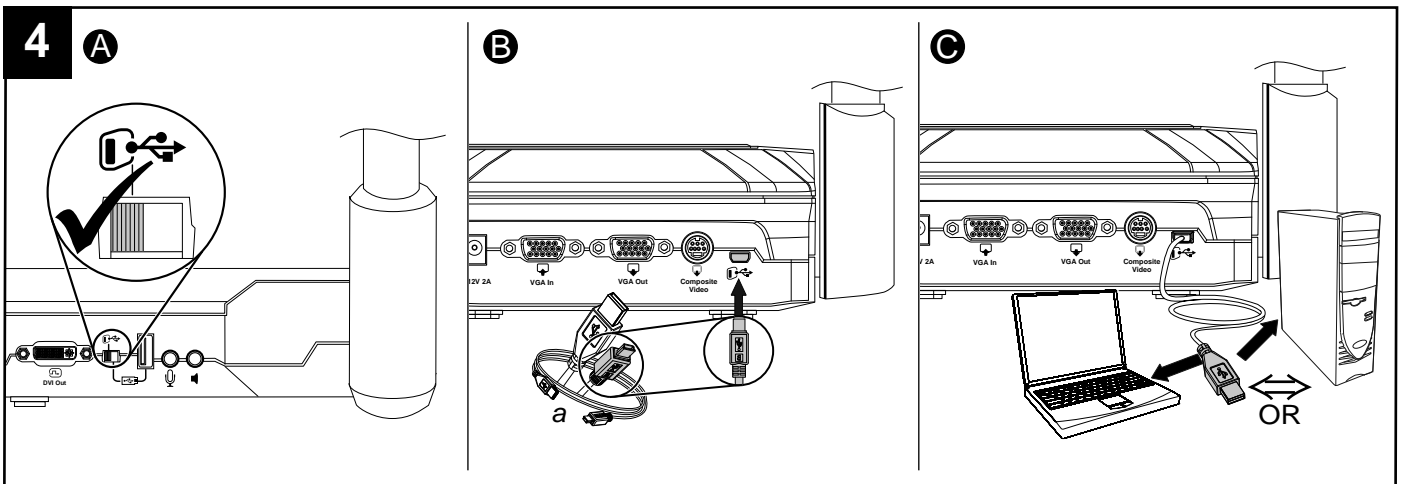
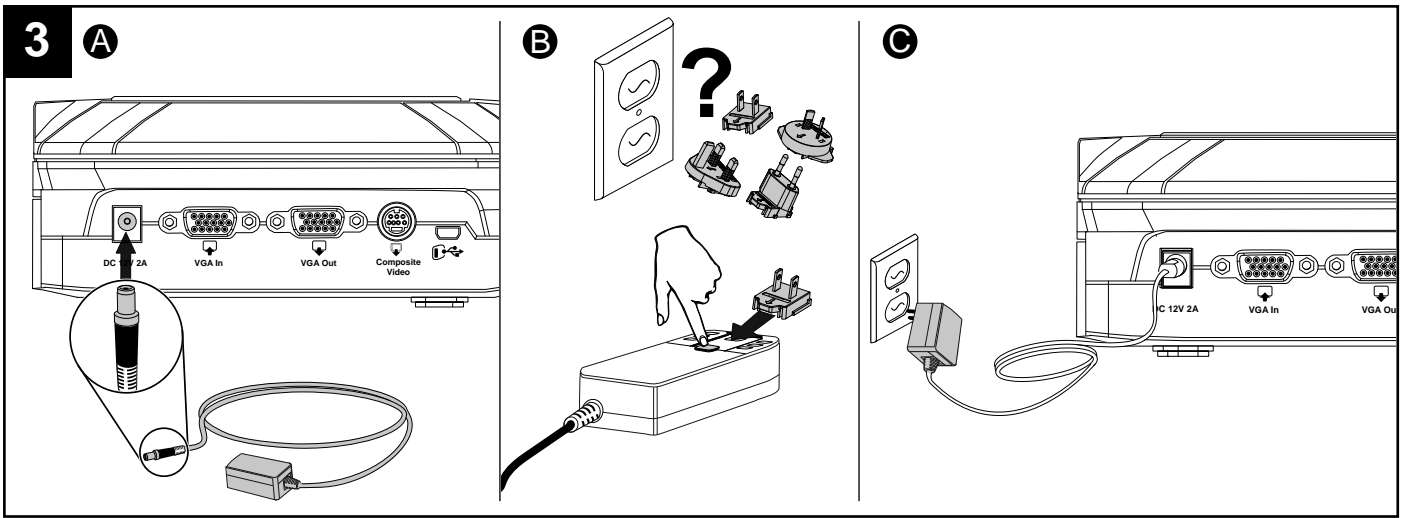


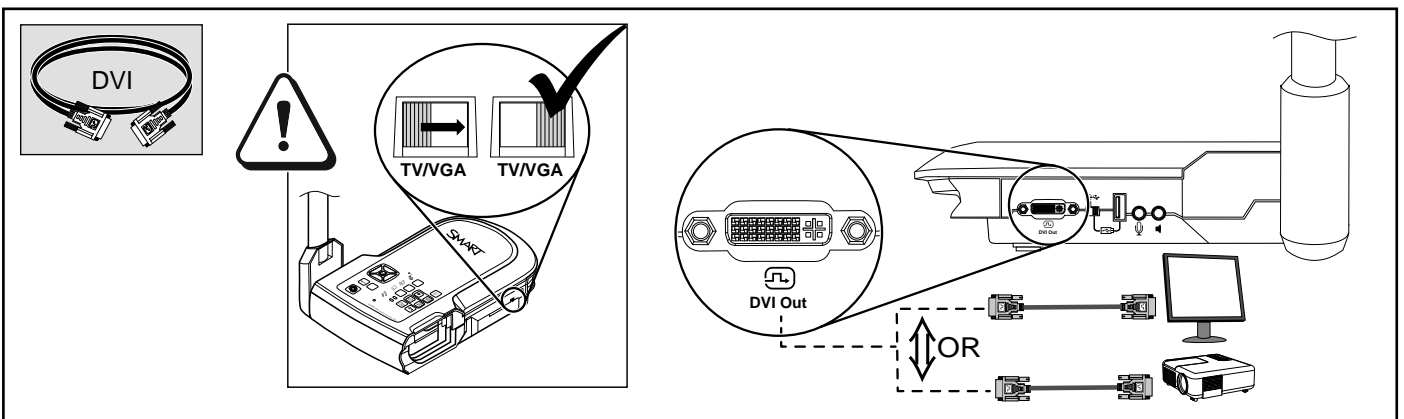
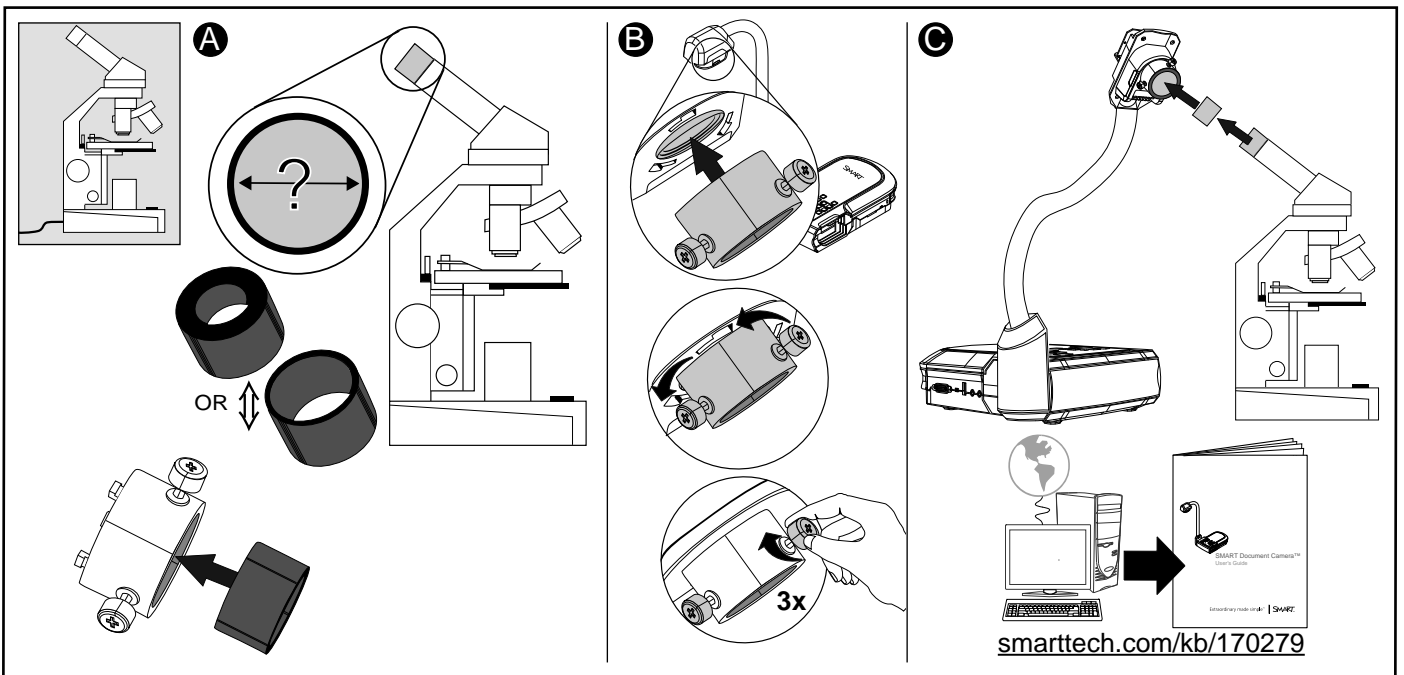
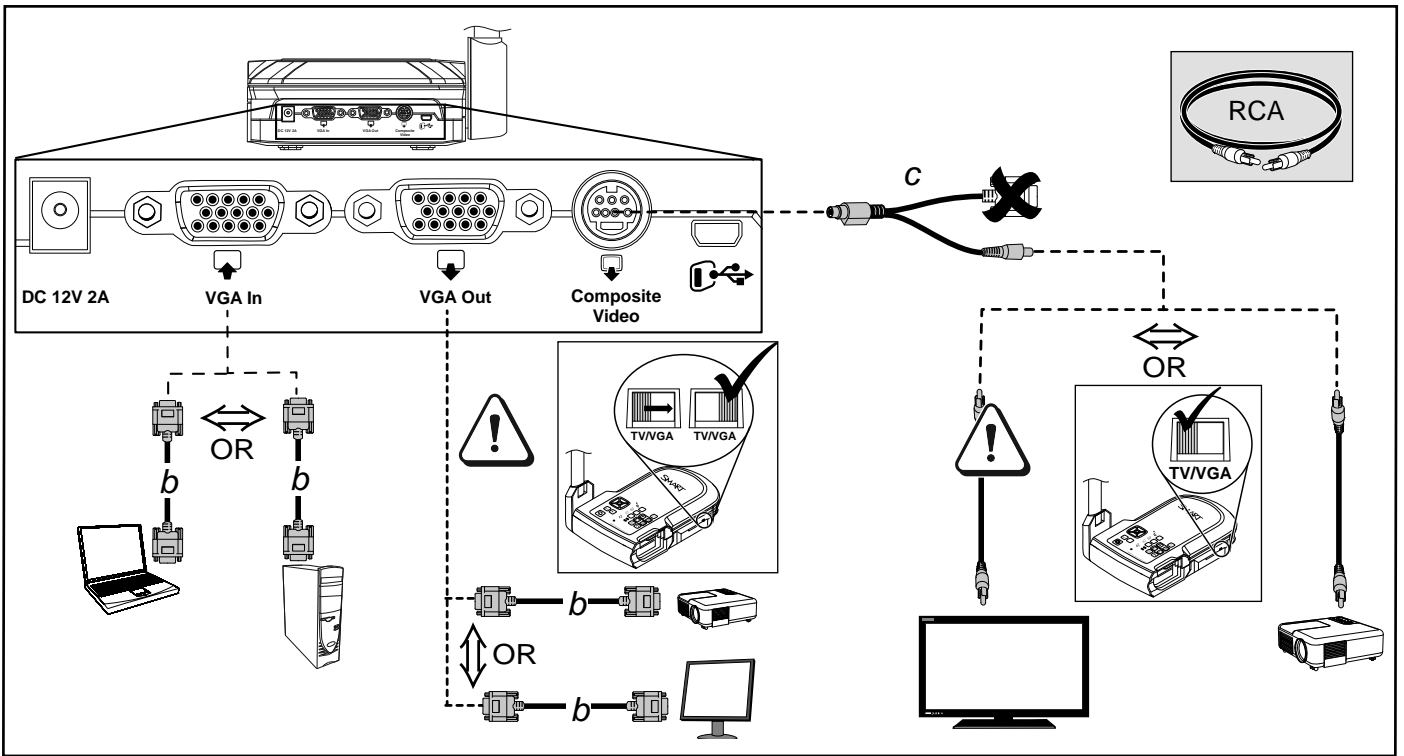
# SDC-450

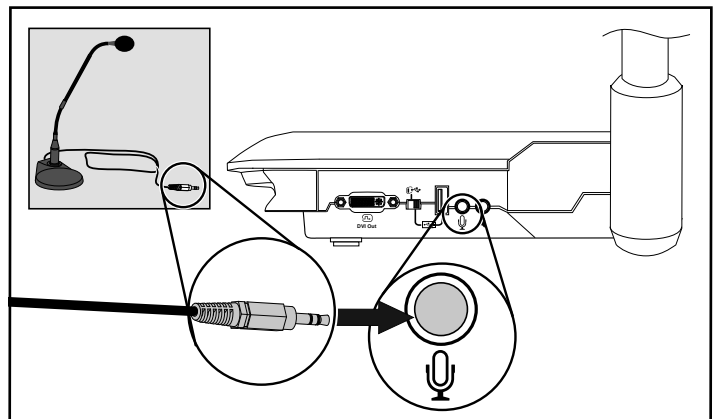
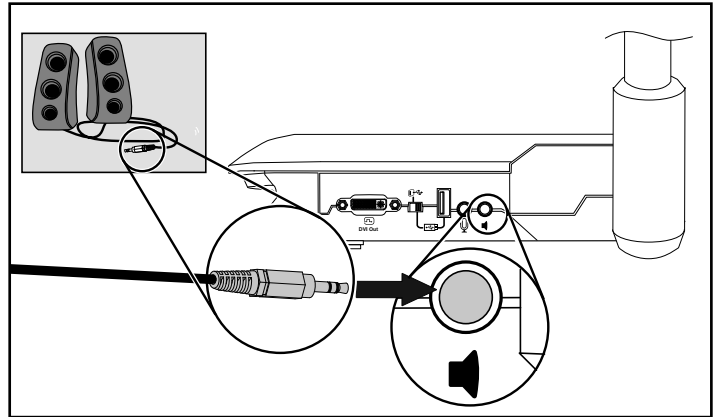
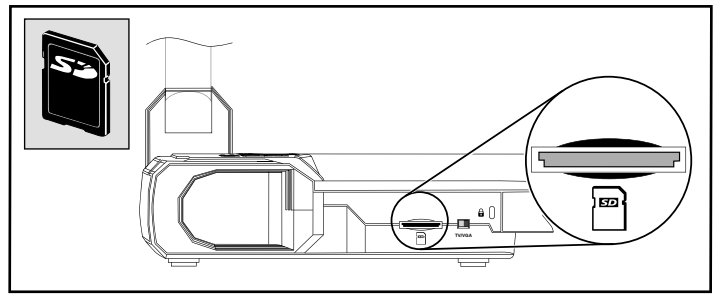
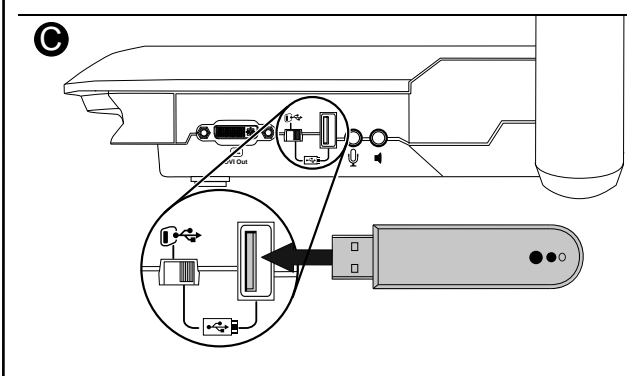
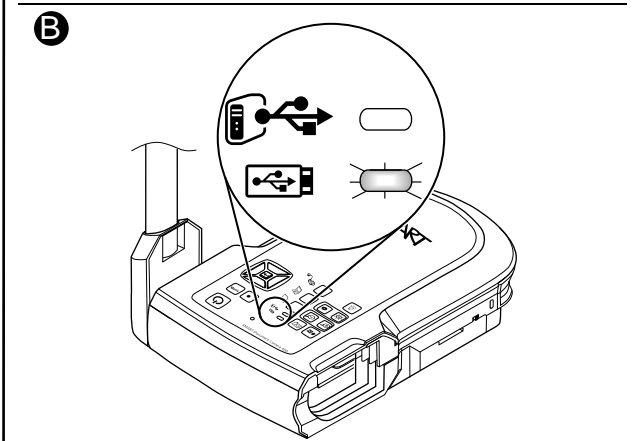
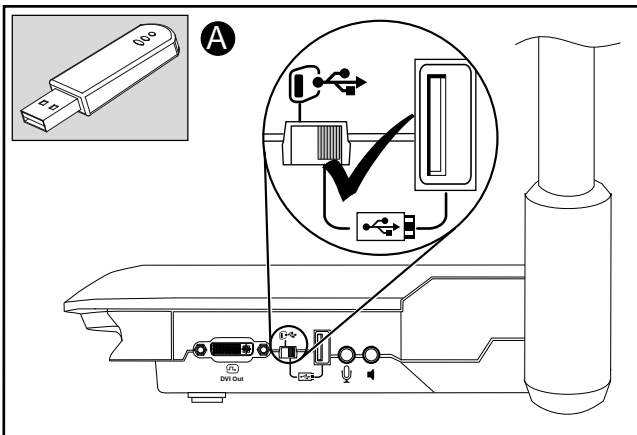


[smarttech.com/170278](http://smarttech.com/170278)









## Hardware environmental compliance

SMART Technologies supports global efforts to ensure that electronic equipment is manufactured, sold and disposed of in a safe and environmentally friendly manner.



### Waste Electrical and Electronic Equipment and Battery regulations (WEEE and battery directive)

Electrical and electronic equipment and batteries contain substances that can be harmful to the environment and to human health. The crossed-out wheeled bin symbol indicates that products should be disposed of in the appropriate recycling stream and not as regular waste.

See [smarttech.com/compliance](http://smarttech.com/compliance) for more information



[smarttech.com/support](http://smarttech.com/support)  
[smarttech.com/contactsupport](http://smarttech.com/contactsupport)

**SMART**